

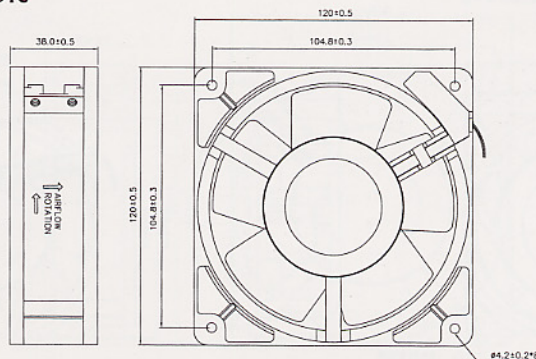
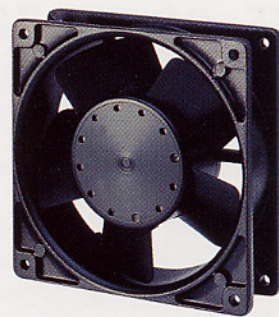
# SIZE: 119x119x38mm

Bearing Type:

Ball / Sleeve Bearing

Leader Wire Or Terminal Is Available

\*Metal Impeller



## Specifications

Specifications are subject to change without notice

Model No.	Bearing	Rated Voltage Vac	Frequency Hz	Max. Rated Current mA	Max. Input Power W	Speed R.P.M.	Max. Air Flow CFM	Max. Air Pressure mmH <sub>2</sub> O	IN H <sub>2</sub> O	Noise dB-A
4E115HST	Sleeve	115	50/60	250/240	24/22	2650/3000	94/105	7.70/8.72	0.30/0.34	45/50
4E115HBT	Ball									
4E115HST	Sleeve	230	50/60	140/130	22/21	2500/3000	94/105	7.70/8.72	0.30/0.34	45/50
4E115HBT	Ball									

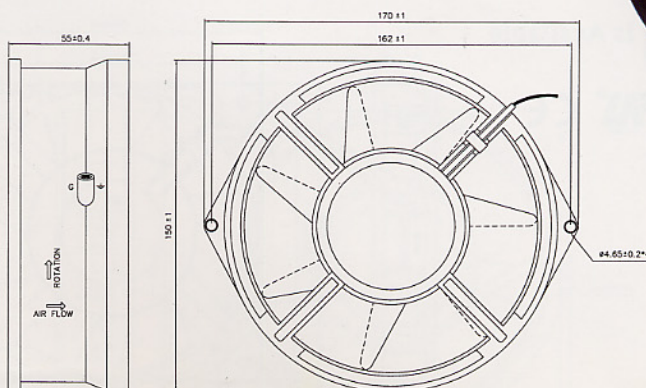
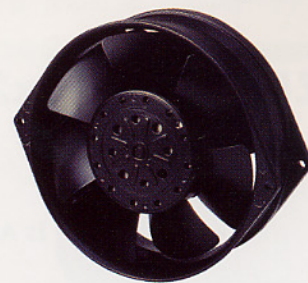
# SIZE: 170x150x55mm

Bearing Type:

Ball / Sleeve Bearing

Leader Wire Or Terminal Is Available

\*Metal Impeller



## Specifications

Specifications are subject to change without notice

Model No.	Bearing	Rated Voltage Vac	Frequency Hz	Max. Rated Current mA	Max. Input Power W	Speed R.P.M.	Max. Air Flow CFM	Max. Air Pressure mmH <sub>2</sub> O	IN H <sub>2</sub> O	Noise dB-A
5E115HB	Ball	115	50/60	640/540	48/46	2750/3100	200/240	12.30/13.70	0.48/0.54	50/53
5E230HB	Ball	230	50/60	300/280	46/44	2750/3100	200/240	12.30/13.70	0.48/0.54	50/53