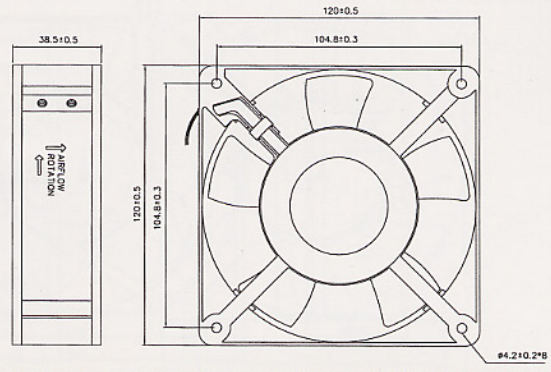
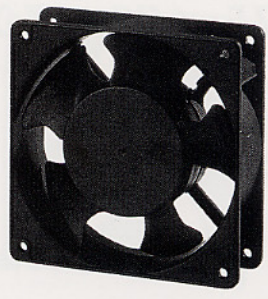


SIZE: 120x120x38.5mm

Bearing Type:
Ball / Sleeve Bearing
Leader Wire Or Terminal Is Available



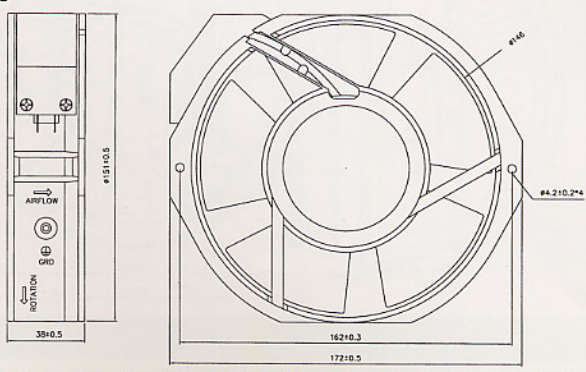
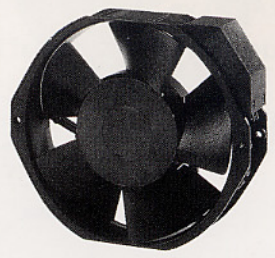
Specifications

Specifications are subject to change without notice

Model No.	Bearing	Rated Voltage Vac	Frequency Hz	Input Current A	Input Power W	Speed R.P.M.	Max. Air Flow CFM	Static Pressure InchAq	Noise dB-A	Weight g
1238LA1SAT(L)	Sleeve	115	50/60	0.13/0.14	8.86/9.21	2100/2400	75.9/82.8	0.08/0.17	37/39	550
1238LA1BAT	Ball									
1238MA1SAT(L)	Sleeve	115	50/60	0.21/0.25	13.7/15.8	2500/2700	86.4/91.3	0.15/0.24	38/41	
1238MA1BAT	Ball									
1238HA1SAT(L)	Sleeve	115	50/60	0.23/0.27	23.97/28.66	2500/2700	97.0/107.0	0.23/0.26	46/48	
1238HA1BAT	Ball									
1238LA2SAT(L)	Sleeve	230	50/60	0.07/0.07	9.40/9.90	2100/2400	75.9/82.8	0.08/0.17	37/39	
1238LA2BAT	Ball									
1238MA2SAT(L)	Sleeve	230	50/60	0.09/0.10	12.60/13.70	2500/2700	86.4/91.3	0.15/0.24	38/41	
1238MA2BAT	Ball									
1238HA2SAT(L)	Sleeve	230	50/60	0.11/0.12	21.59/21.38	2500/2700	97.0/107.0	0.23/0.26	46/48	
1238HA2BAT	Ball									

SIZE: 172x150x38mm

Bearing Type:
Ball / Sleeve Bearing
Leader Wire Or Terminal Is Available



Specifications

Specifications are subject to change without notice

Model No.	Bearing	Rated Voltage Vac	Frequency Hz	Input Current A	Input Power W	Speed R.P.M.	Max. Air Flow CFM	Static Pressure InchAq	Noise dB-A	Weight g
1723HA1BAT	Ball	115	50/60	0.42/0.47	34/38	2800/3100	152/190	0.44/0.60	48/53	760
1723HA2BAT	Ball	230	50/60	0.19/0.23	34/38	2800/3100	152/190	0.44/0.60	48/53	