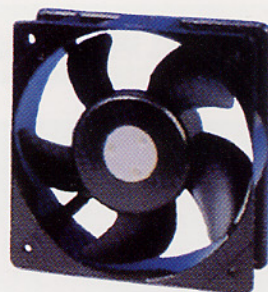
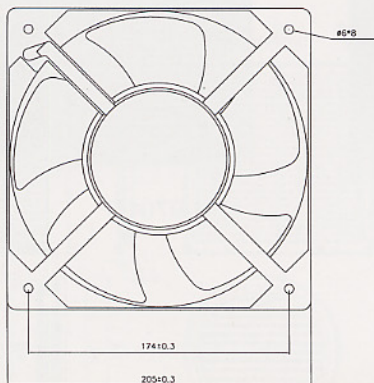
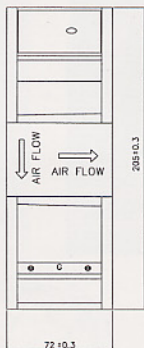


# SIZE: 205x205x72mm

Bearing Type:

Ball / Sleeve Bearing

Leader Wire Or Terminal Is Available



## Specifications

Specifications are subject to change without notice

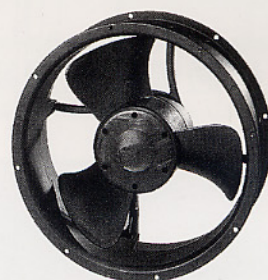
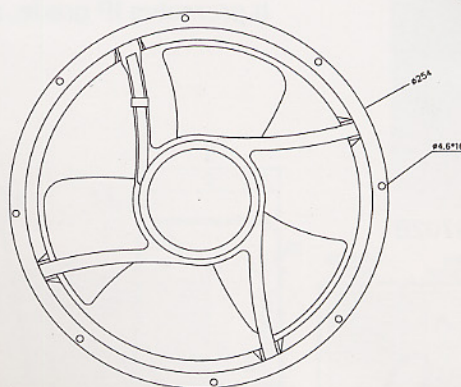
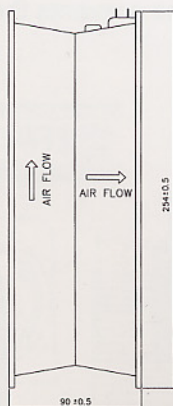
Model No.	Bearing	Rated Voltage Vac	Frequency Hz	Input Power W	Speed R.P.M.	Max. Air Flow CFM	Max. Air Pressure mmH <sub>2</sub> O	IN H <sub>2</sub> O	Noise dB-A	Weight g
UF-20B-1	Ball	115	50/60	65/102	2800/3000	580/647	25/28	0.98/1.1	58/62	2100
UF-20B-2	Ball	230	50/60	65/102	2800/3000	580/647	25/28	0.98/1.1	58/62	

# SIZE: $\phi$ 254x89mm

Bearing Type:

Ball / Sleeve Bearing

Leader Wire Or Terminal Is Available



## Specifications

Specifications are subject to change without notice

Model No.	Bearing	Rated Voltage Vac	Frequency Hz	Input Current A	Input Power W	Speed R.P.M.	Max. Air Flow CFM	Static Pressure InchAq	Noise dB-A	Weight g
2509HA1BAT	Ball	115	50/60	0.36/0.45	38/45	1380/1640	480/550	0.21/0.24	48/56	1780
2509HA2BAT	Ball	230	50/60	0.18/0.22	38/46	1350/1610	480/550	0.21/0.24	48/56	